

THROUGH-BOLT TIEBACK ANCHORS



FLS Through-Bolt Tieback Anchors are a safe, practical and permanent anchorage solution. Cost effective and proven, Through-Bolt Tieback Anchors are used for fall protection and a wide range of suspended access applications, including window cleaning and exterior building maintenance. The Tieback Anchor provides an ideal safety solution for rope descent systems where specific use and height restrictions apply and workers are operating suspended power platforms and temporary rigging equipment, or anywhere leading edge hazards exist.



THROUGH-BOLT TIEBACK ANCHORS

FEATURES

- **Proven Design** over 2,000 installations worldwide
- **Cost Effective** without sacrificing safety. FLS safety tiebacks are an economical choice compared to many alternative solutions
- **Simple to Use** design of tie back anchors result in increased productivity

□ STAINLESS STEEL

Stainless steel consists of a high sheen surface that is designed to resist multiple corrosive agents. It is required in certain applications such as ocean front buildings or as designated by architect.

The Through-Bolted Tieback Anchor is clamped in place via a plate and bolt system

USAGES

Suitable for all flat roofs as fall arrest anchors for securing workers' lifelines, suspension of boatswain chair or the tying back of temporary suspended access equipment.

INSPECTION

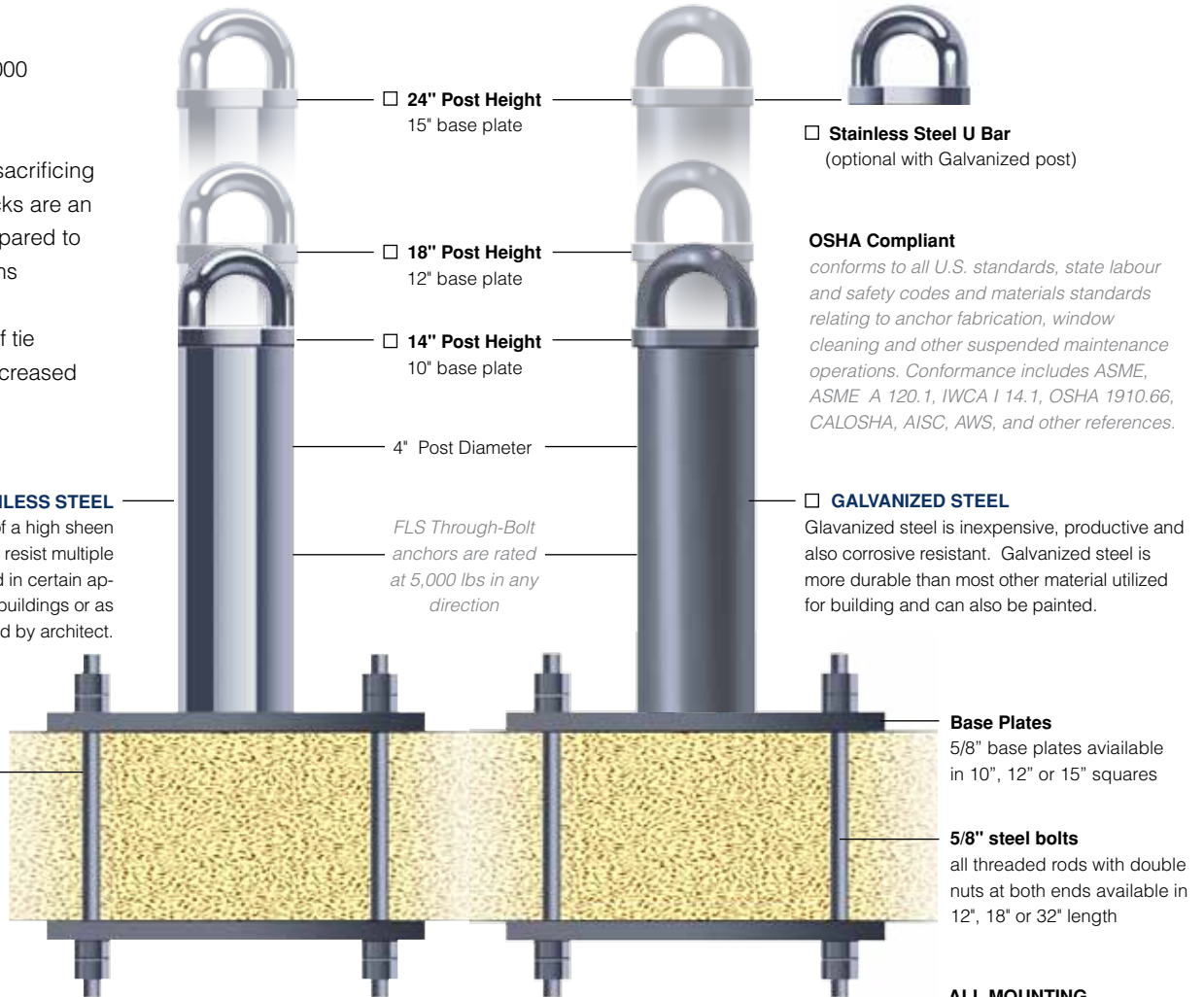
Regulations require anchors to be inspected annually by a qualified person with the inspection date, inspector's name, signature and company and comments recorded in the Building Facade Maintenance Equipment log book.

RE CERTIFICATION

FLS recommends anchors be re-certified every five (5) years or when re-roofing or renovating pertinent to the window cleaning system. The report and certification shall be included in the logbook and take place under the direct supervision of a registered professional engineer.

WHY FLS?

Maximizing fall-safety provided by the Tieback Anchors requires proper harnesses, lanyards, and training. **FLS is your turnkey fall-protection provider.** Piecemeal competitors can't compare with FLS' turnkey costs and services.



□ **24" Post Height**
15" base plate

□ **18" Post Height**
12" base plate

□ **14" Post Height**
10" base plate

4" Post Diameter

FLS Through-Bolt anchors are rated at 5,000 lbs in any direction

□ **Stainless Steel U Bar**
(optional with Galvanized post)

OSHA Compliant

conforms to all U.S. standards, state labour and safety codes and materials standards relating to anchor fabrication, window cleaning and other suspended maintenance operations. Conformance includes ASME, ASME A 120.1, IWCA I 14.1, OSHA 1910.66, CALOSHA, AISC, AWS, and other references.

□ GALVANIZED STEEL

Galvanized steel is inexpensive, productive and also corrosive resistant. Galvanized steel is more durable than most other material utilized for building and can also be painted.

Base Plates

5/8" base plates available in 10", 12" or 15" squares

5/8" steel bolts

all threaded rods with double nuts at both ends available in 12", 18" or 32" length

ALL MOUNTING HARDWARE IS INCLUDED IN PRICE

THROUGH-BOLT TIEBACK ANCHOR PART NUMBERS

Galvanized Steel Post with Galvanized Eye				Galvanized Steel Post with Stainless Steel Eye				Stainless Steel Post with Stainless Steel Eye			
Part #	Ht.	Base*	Bolt (Kit)	Part #	Ht.	Base*	Bolt (Kit)	Part #	Ht.	Base*	Bolt (Kit)
10TBTU101214	14"	10"	12" (2A)	10TBTS101214	14"	10"	12" (2A)	10TBTSS101214	14"	10"	12" (2A)
10TBTU101814	14"	10"	18" (2B)	10TBTS101814	14"	10"	18" (2B)	10TBTSS101814	14"	10"	18" (2B)
10TBTU121218	18"	12"	12" (2C)	10TBTS121218	18"	12"	12" (2C)	10TBTSS121218	18"	12"	12" (2C)
10TBTU121818	18"	12"	18" (2A)	10TBTS121818	18"	12"	18" (2A)	10TBTSS121818	18"	12"	18" (2A)
10TBTU151224	24"	15"	12" (2B)	10TBTS151224	24"	15"	12" (2B)	10TBTSS151224	24"	15"	12" (2B)
10TBTU151824	24"	15"	18" (2C)	10TBTS151824	24"	15"	18" (2C)	10TBTSS151824	24"	15"	18" (2C)

All Mounting hardware is included. Kits consist of 4 bolts (5/8" x the designated bolt length), 16 nuts (5/8") and 8 flat washers (5/8")

**All bases are square (ie 10"x10", 12"x12", or 15"x15")*

